

VitrA

Description

Universal Slim WC Seat Model 2 - Round Form
(Duroplast, Soft-Closing, Detachable Metal Hinge,
Top Fixing, Quick Release)

Code

110-003R019

Shape

Round

Hinge Option

Metal Hinge, Top Fixing

Soft-Close

Available

Material

Duroplast

Product Properties

Soft-Close

Colour

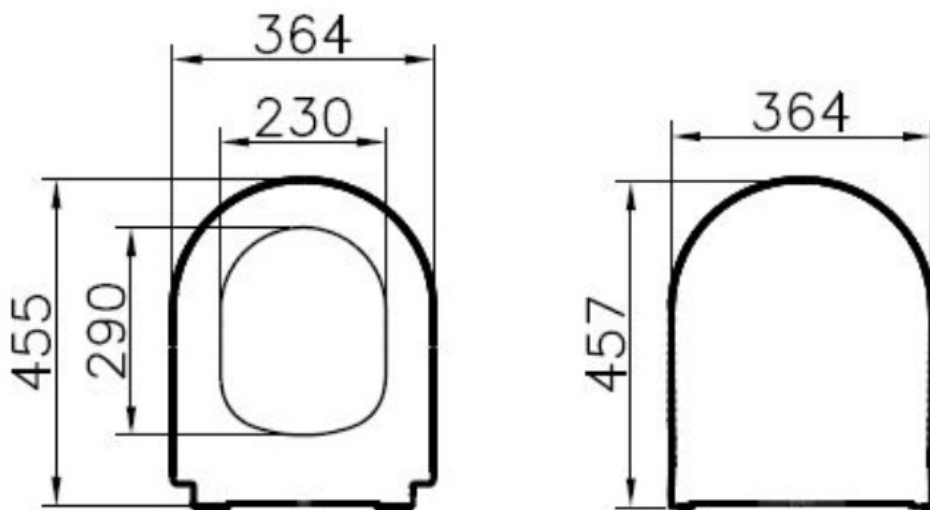
White

Width

36,4

Height

45,7



VitrA retains the right to change details about the products and technical specifications without prior notice.